

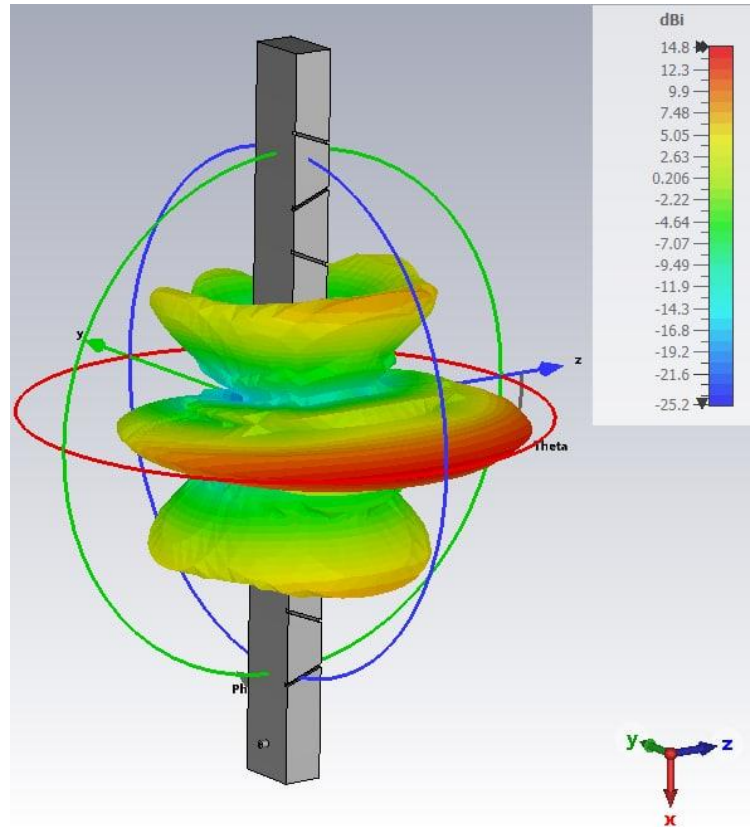
# RigExpert© 5.8 GHz Minigun Highly Directional High Gain 5.8 GHz Droneport Antenna

## Applications

- UAV & Aerospace
- Telecom
- DYI
- Field communications

## Main Features

- Highly directional
- High gain
- High power
- Durable
- Easy stackable
- No field tuning required

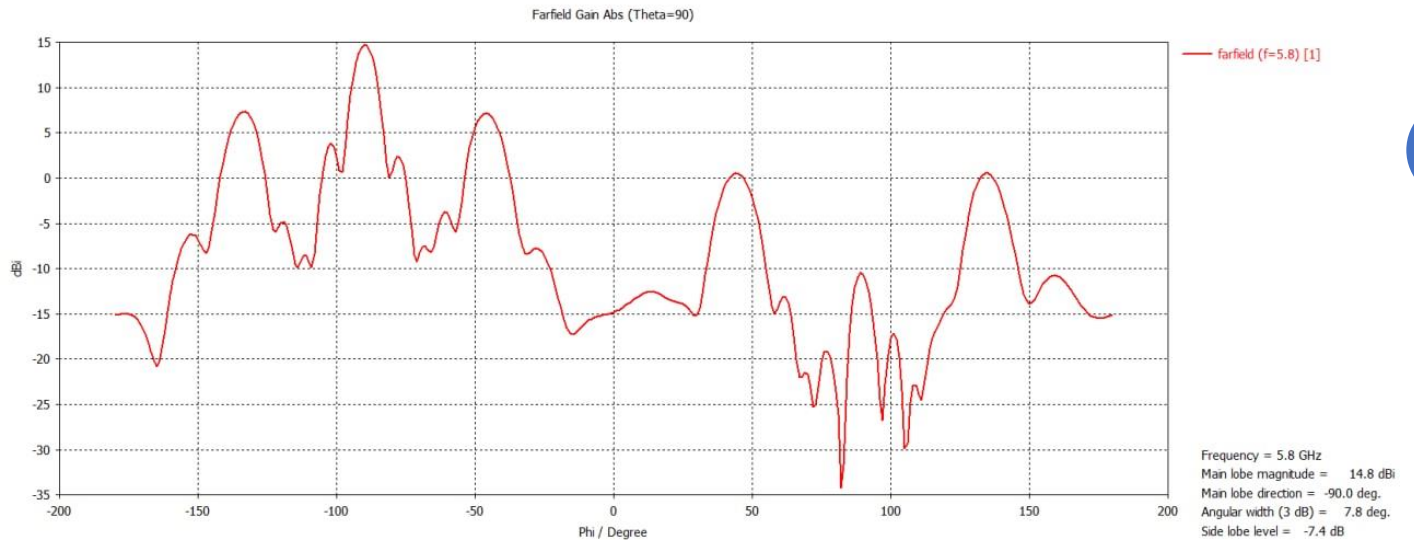


## Specifications

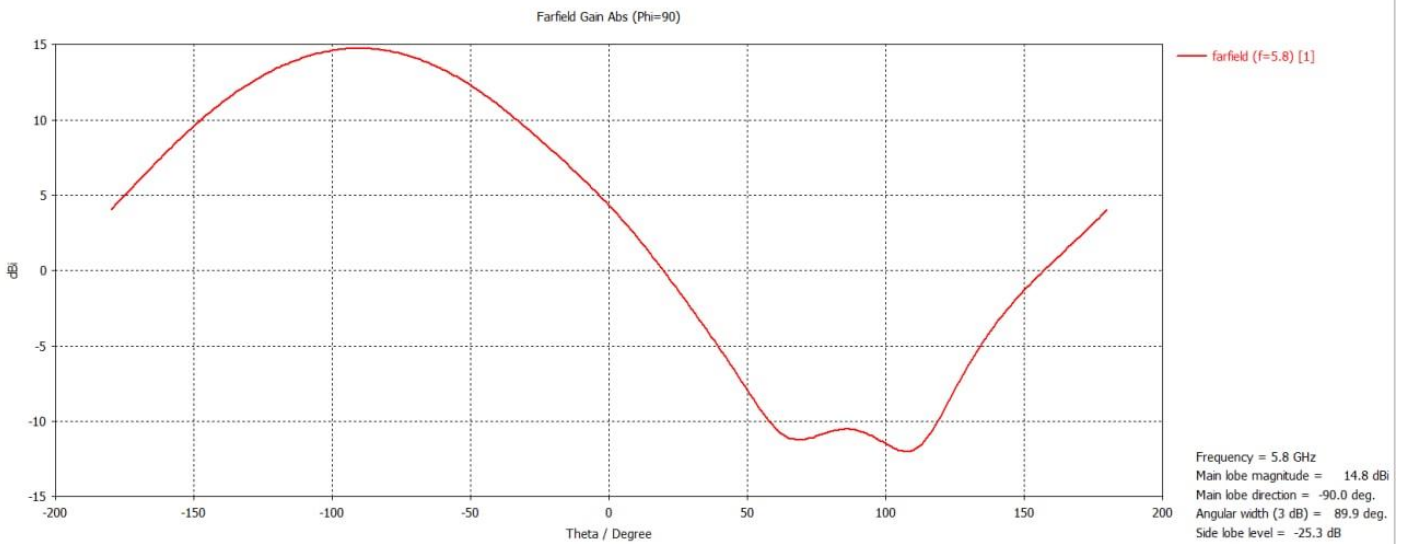
Antenna type	Slot Antenna Array
Frequency range	5725 MHz to 5875 MHz
Interface type	SMA (female)
Impedance	50 Ohm
Maximum power	250 W
Gain	15 dBi
SWR	< 1.5
Polarization	Linear (Vertical)
Radiation pattern	H-Plane 90° V-Plane 8°
Mount type	M6 or 1/4" Screw
Dimensions	40mm x 25mm x 450mm
Weight	400g

# Radiation patterns

## V-Plane Radiation Pattern



## H-Plane Radiation Pattern



# Field test

