

SHACK MASTER

Compact Desktop Power Supply

POWER 600 W

Main Features

- Adjustable output voltage 12-15V, MAX. 40A
- Deadly quiet
- Highly efficient
- Lightweight and compact
- DXpeditions compatible
- Tolerant to gasoline generators
- Saves space with flexible orientation
- 4 USB ports with quick charge 2.0

Applications

- Mechanical & electrical equipment sourcing
- Low noise low power amplifiers
- Power sourcing for PoE systems
- Amateur radio
- Lab equipment
- Telecom
- DIY

slick

Flexibility: The flexible orientation and multiple connectivity options make it easy to use

silent

Quiet Operation: The low EMI and acoustic noise minimize distractions

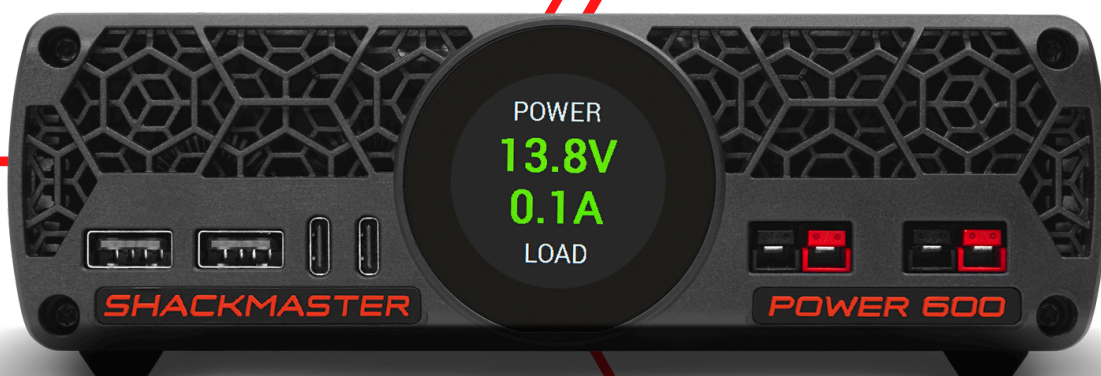
supply

Potent Power Delivery: Revel in an amped-up 600W power output

Nonstop rapid charging; 4 USB ports with Quick Charge Q52.0

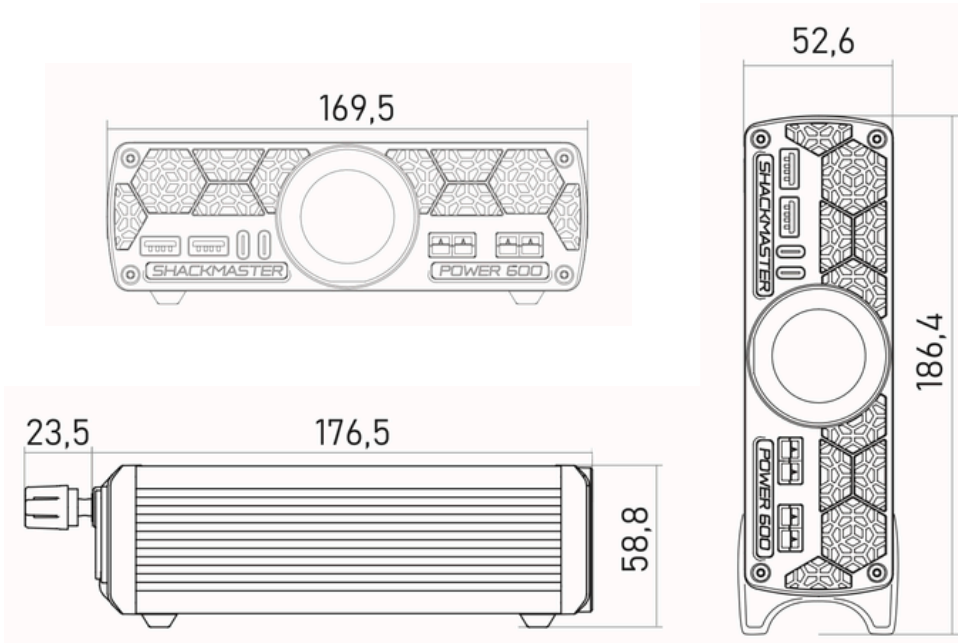
Safety: The Intelligent Protection System protects your devices from damage

Custom voltage setting; Adjustable Output Voltage allows easy modification of the power supply to match the characteristics of different devices



SHACK MASTER POWER 600 W

Compact Desktop Power Supply



Specifications

Rated power	600W
Rated current	40A
Output voltage	13.8V (12-15V Software adjustable)
Ripple (maximum)	200mVp-p
Input AC voltage	80V to 264V
Input AC frequency	47Hz to 63Hz
AC current (maximum)	6.4A @ 115VAC 3.2A @ 230VAC
Inrush current (maximum)	40A @ 115VAC; 80A @ 230VAC
USB Charging Ports	5V/2.5A, 9V/2.5A, 12V/2.5A
Overvoltage protection	Yes
Overtemperature protection	Yes
Overcurrent protection	Yes
Short circuit protection	Yes
Operating temperature range	-20°C to +70°C -4°F to 158°F
Storage temperature range	-40°C to +85°C -40°F to 185°F
EMC	EN IEC 61000-6-3:2021; EN IEC 61000-6-1:2019
Dimensions	172mm x 55mm x 185mm 6.8" x 2" x 7.3"
Weight	1.1kg 2 lb 7oz
Acoustic noise	~21 dBA

